

# ONNERA GROUP

## DESPIECE TECNICO TECHNICAL PARTS

LAVAVAJILLAS DE APERTURA FRONTAL  
FRONT LOADING DISHWASHERS

MODELOS / MODELS

G-OEM-510 B / DD / F / SA / UK

50Hz/60Hz

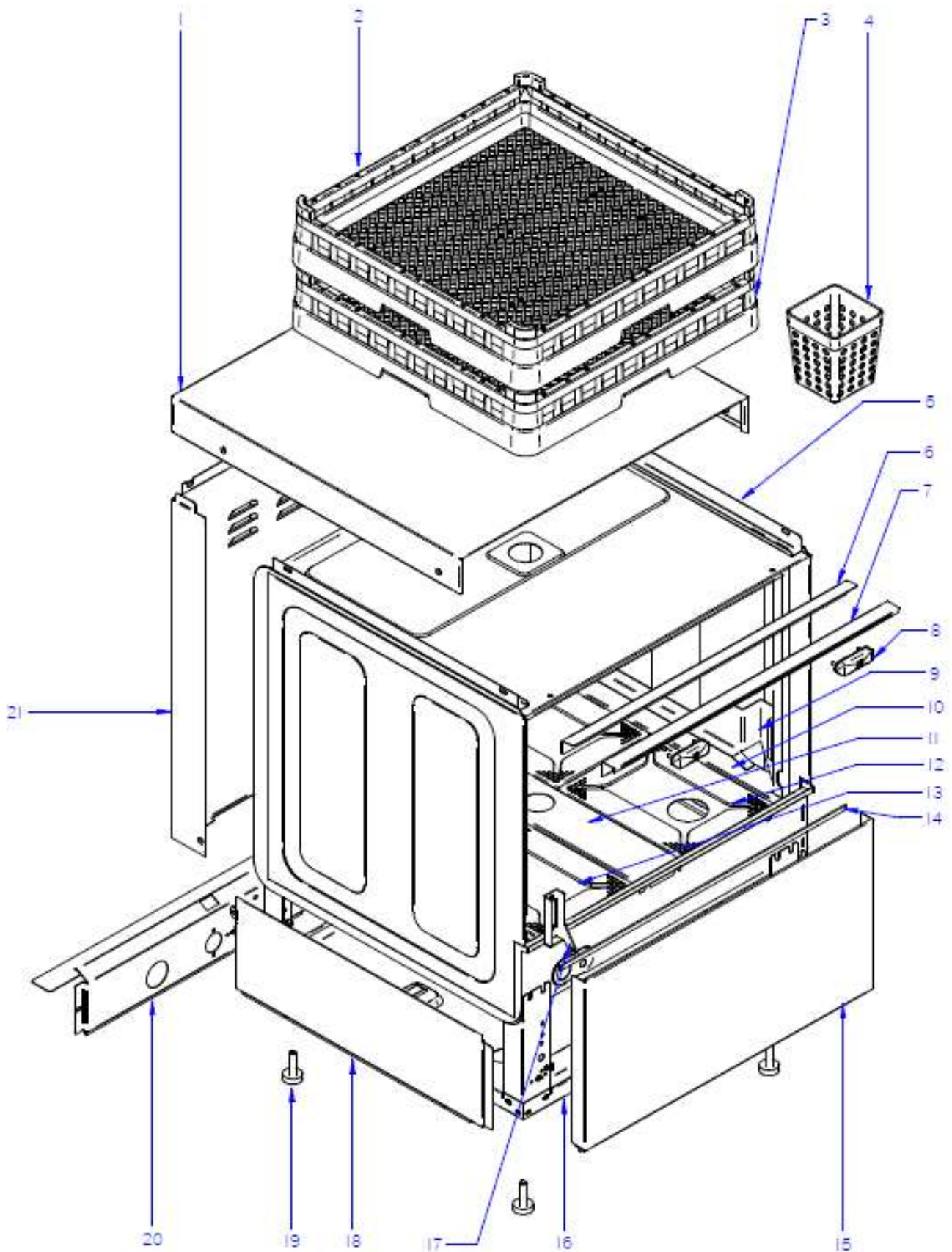
**Vers.** February 2018  
**Revised** September 2020

## MODEL DRAWING RELATION

MODEL	UC_02	UC_03	UC_04	UC_05	UC_06	UC_07	UC_10
	Structure	Door	Wash Functional Part	Gravity Drain	Drain Pump	Rinsing Functional Part	Electric Functional Part
G-OEM-510	X	X	X	X		X	X
G-OEM-510 DD	X	X	X	X		X	X
G-OEM-510 B	X	X	X		X	X	X
G-OEM-510 B DD	X	X	X		X	X	X
G-OEM-510 SA	X	X	X	X		X	X
G-OEM-510 DD SA	X	X	X	X		X	X
G-OEM-510 B SA	X	X	X		X	X	X
G-OEM-510 B DD SA	X	X	X		X	X	X
G-OEM-510 F	X	X	X	X		X	X
G-OEM-510 DD F	X	X	X	X		X	X
G-OEM-510 B F	X	X	X		X	X	X
G-OEM-510 B DD F	X	X	X		X	X	X
G-OEM-510 F SA	X	X	X	X		X	X
G-OEM-510 DD F SA	X	X	X	X		X	X
G-OEM-510 B F SA	X	X	X		X	X	X
G-OEM-510 B DD F SA	X	X	X		X	X	X
G-OEM-510 UK	X	X	X	X		X	X
G-OEM-510 DD UK	X	X	X	X		X	X
G-OEM-510 B UK	X	X	X		X	X	X
G-OEM-510 B DD UK	X	X	X		X	X	X
G-OEM-510 SA UK	X	X	X	X		X	X
G-OEM-510 DD SA UK	X	X	X	X		X	X
G-OEM-510 B SA UK	X	X	X		X	X	X
G-OEM-510 B DD SA UK	X	X	X		X	X	X
G-OEM-510 F UK	X	X	X	X		X	X
G-OEM-510 DD F UK	X	X	X	X		X	X
G-OEM-510 B F UK	X	X	X		X	X	X
G-OEM-510 B DD F UK	X	X	X		X	X	X
G-OEM-510 F SA UK	X	X	X	X		X	X
G-OEM-510 DD F SA UK	X	X	X	X		X	X
G-OEM-510 B F SA UK	X	X	X		X	X	X
G-OEM-510 B DD F SA UK	X	X	X		X	X	X

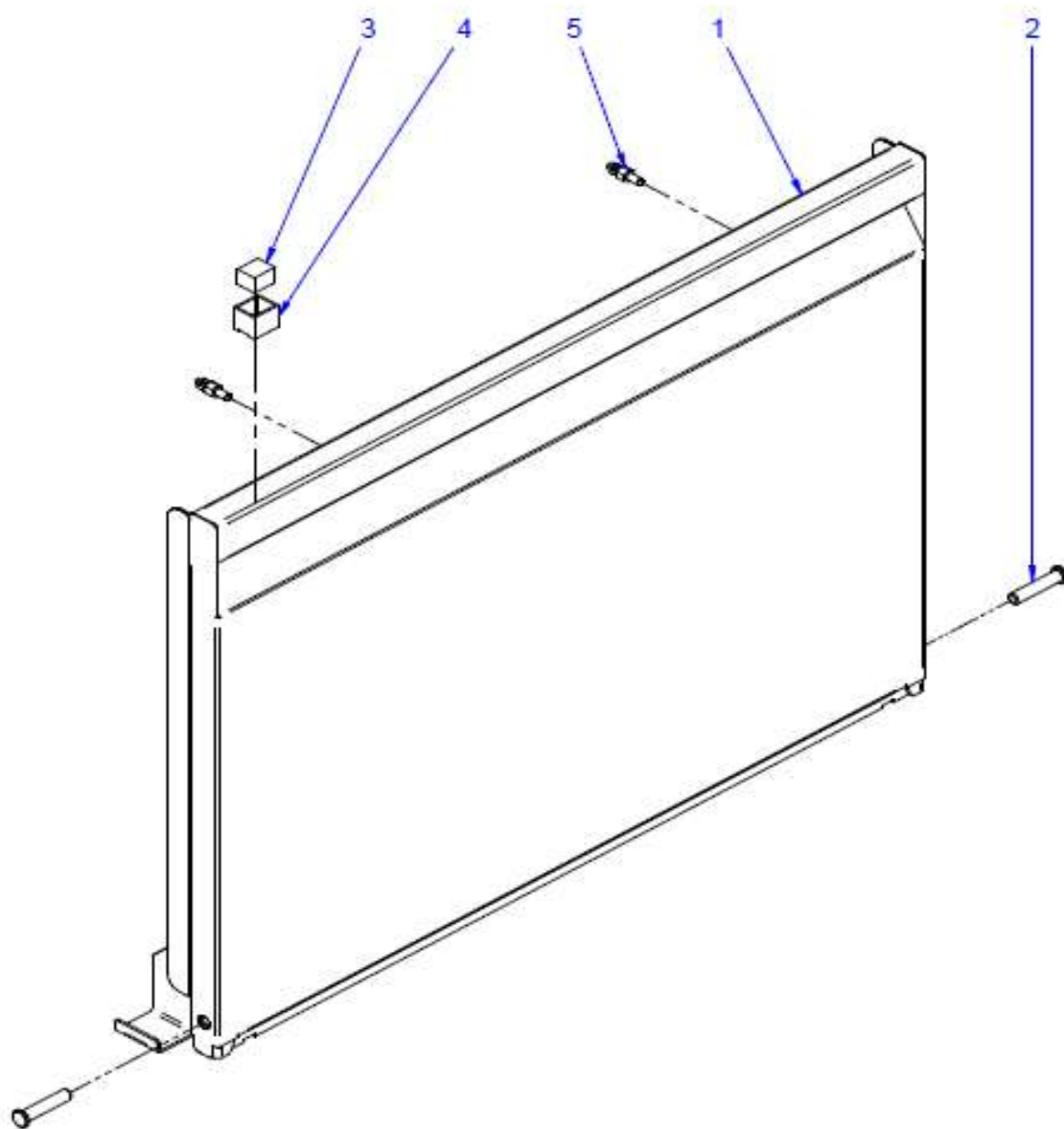
- \* Si su modelo no esta en la lista de planos, escoga la descripcion mas cercana
- \* If your model does appear in the list of drawings, choose the closest description

OPTIONS	DESCRIPCIÓN	DESCRIPTION
<b>B</b>	Bomba de desagüe	Drain Pump
<b>DD</b>	Dosificador de detergente	Detergent dispenser
<b>SA</b>	Ramas de aclarado en acero inoxidable	Rinsing arms in Stainless Steel
<b>F</b>	Bandejas filtros de acero inoxidable	Stainless steel filter trays
<b>UK</b>	Potencia de cuba y cable modificado para R.U	Modified Tank power and power cord for UK



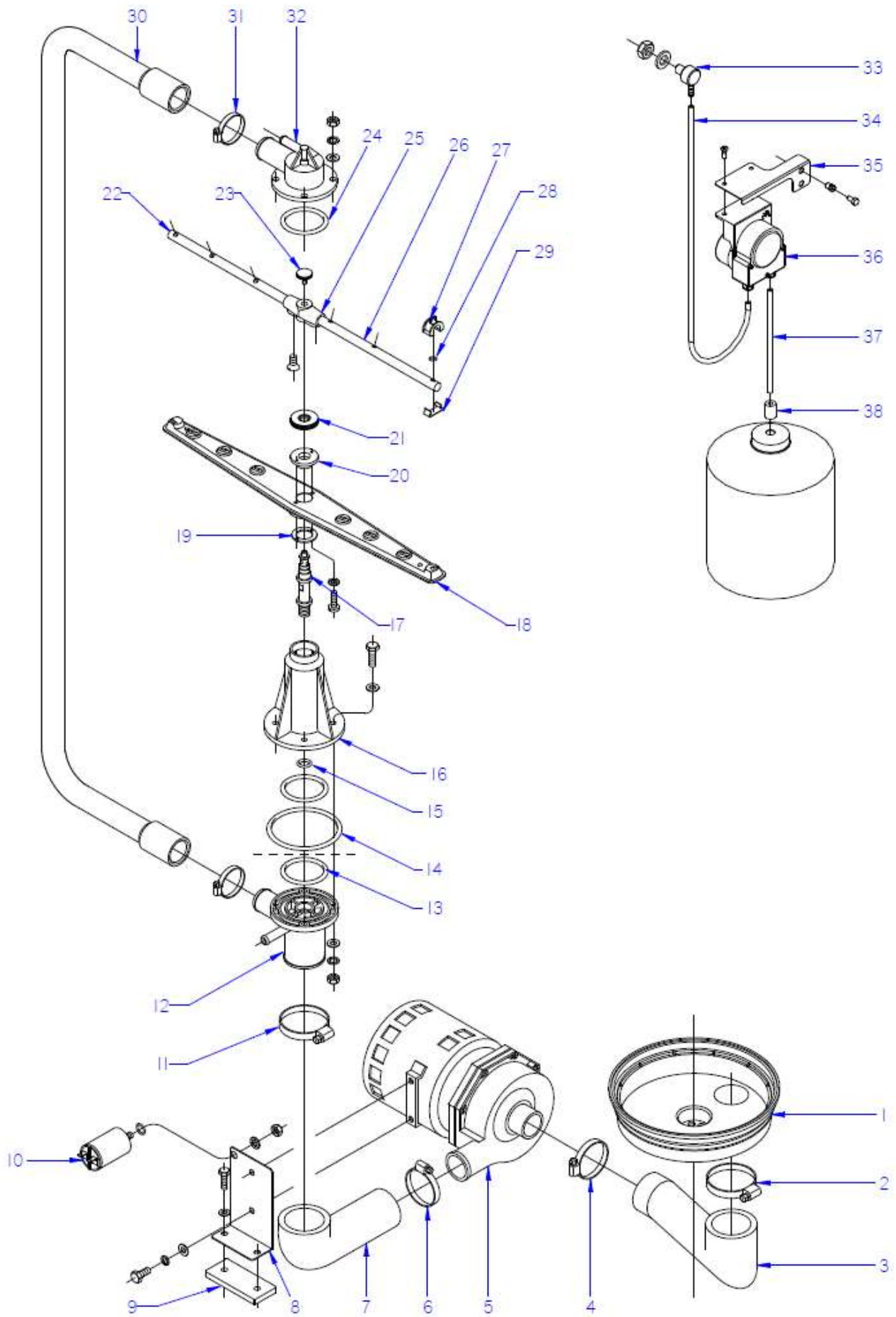
N plans / Drawing N.	Firma / Signature	Fecha / Date	Apósito / Appliance	ARMAZON TECH / TECH FRAME	Lamina / Sheet	ONNERA POLAND
UC_01	Filip S.	02/2018	FRONT LOADING DW OEM/500		1	

ZONA / ZONE		ESTRUCTURA / STRUCTURE										LÁMINA / DRAWING						UC_02	
ITEM	REFERENCIA REFERENCE	DENOMINACIÓN	DENOMINATION	G-OEM-510	G-OEM-510 DD	G-OEM-510 B	G-OEM-510 B DD	G-OEM-510 F	G-OEM-510 DD F	G-OEM-510 B F	G-OEM-510 B DD F					RECOMMENDED	ELIMINADO ELIMINATED	INTRODUCIDO INTRODUCED	NOTAS NOTES
1	12170241	TAPA G-OEM-500	G-OEM 500 LID	1	1	1	1	1	1	1	1								
2	12024990	CESTILLO PLATOS CP-16-18	PLATE BASKET CP-16-18	1	1	1	1	1	1	1	1								
3	12023745	CESTILLO CUBIERTOS	CUTLERY BASKET	1	1	1	1	1	1	1	1								
4	12025011	CESTILLO BASE CT-10	BASE BASKET CT-10	1	1	1	1	1	1	1	1								
5	12170248	SOPORTE TAPA G-OEM-500	G-OEM 500 LID REINFORCEMENT	2	2	2	2	2	2	2	2								
6	12024374	PERFIL CAJA	BOX PROFILE	1	1	1	1	1	1	1	1								
7	12022469	ESCUADRA SUJECCION PERFIL	FASTENING BRACKET PROFILE	1	1	1	1	1	1	1	1								
8	12003212	CONJUNTO CIERRE PUERTA	LOCK CLOSING DEVICE	2	2	2	2	2	2	2	2								
9	12170251	GUIA CESTILLO DERECHO	RIGHT BASKET GUIDE	1	1	1	1	1	1	1	1								
S/Nº	12170230	GUIA CESTILLO IZQUIERDO	LEFT BASKET GUIDE	1	1	1	1	1	1	1	1								
10	12022458	SOPORTE DERECHO BANDEJAS	RIGHT TRAY SUPPORT	-	-	-	-	1	1	1	1								
S/Nº	12022459	SOPORTE IZDO. BANDEJAS	LEFT TRAY SUPPORT	-	-	-	-	1	1	1	1								
11	12022518	SOPORTE CENTRAL BANDEJAS	TRAY SUPPORT CENTRAL	-	-	-	-	1	1	1	1								
12	12131729	BANDEJA FILTRO DESAGÜE	DRAIN FILTER TRAY	-	-	-	-	1	1	1	1								
13	12022559	BANDEJA FILTRO	FILTER TRAY	-	-	-	-	3	3	3	3								
14	12154932	PERFIL PROTECCION GOMA	TANK PROTECTOR GASKET	1	1	1	1	1	1	1	1								
15	12022724	PANEL FRONTAL SIN PUERTA	FRONT PANEL WITHOUT DOOR	1	1	1	1	1	1	1	1								
16	12003593	ARMAZON COMPLETO	COMPLETE FRAME	1	1	1	1	1	1	1	1								
17	12170261	BISAGRA IZQUIERDA UC-500	UC- LEFT HINGE	1	1	1	1	1	1	1	1								
S/Nº	12170242	BISAGRA DERECHA UC-500	UC- RIGHT HINGE	1	1	1	1	1	1	1	1								
18	12022560	PANEL LATERAL IZQUIERDO	LEFT SIDE PANEL	1	1	1	1	1	1	1	1								
S/Nº	12022563	PANEL LATERAL DERECHO	RIGHT SIDE PANEL	1	1	1	1	1	1	1	1								
19	12024163	PATA REGULABLE	ADJUSTABLE LEG	4	4	4	4	4	4	4	4								
20	12022395	PANEL POSTERIOR INFERIOR	REAR LOWER PANEL	1	1	1	1	1	1	1	1								
21	12170232	PANEL POSTERIOR G-OEM-500	BACK PANEL G-OEM-500	1	1	1	1	1	1	1	1								



N. plano / Drawing N.	Firma / Signature	Fecha / Date	Apelido / Appliance	ARMAZÓN / FRAME	Lamina / Sheet	ONNERA POLAND
UC_03	Filip S.	02/2019		UC TECH	1	





Drawing No.	Signature	Date	Device	WASH FUNCTIONAL PART	Sheet	ONNERA GROUP
UC_04	Aitor U.	02-2018	FRONT LOADING DW OEM-500		4	

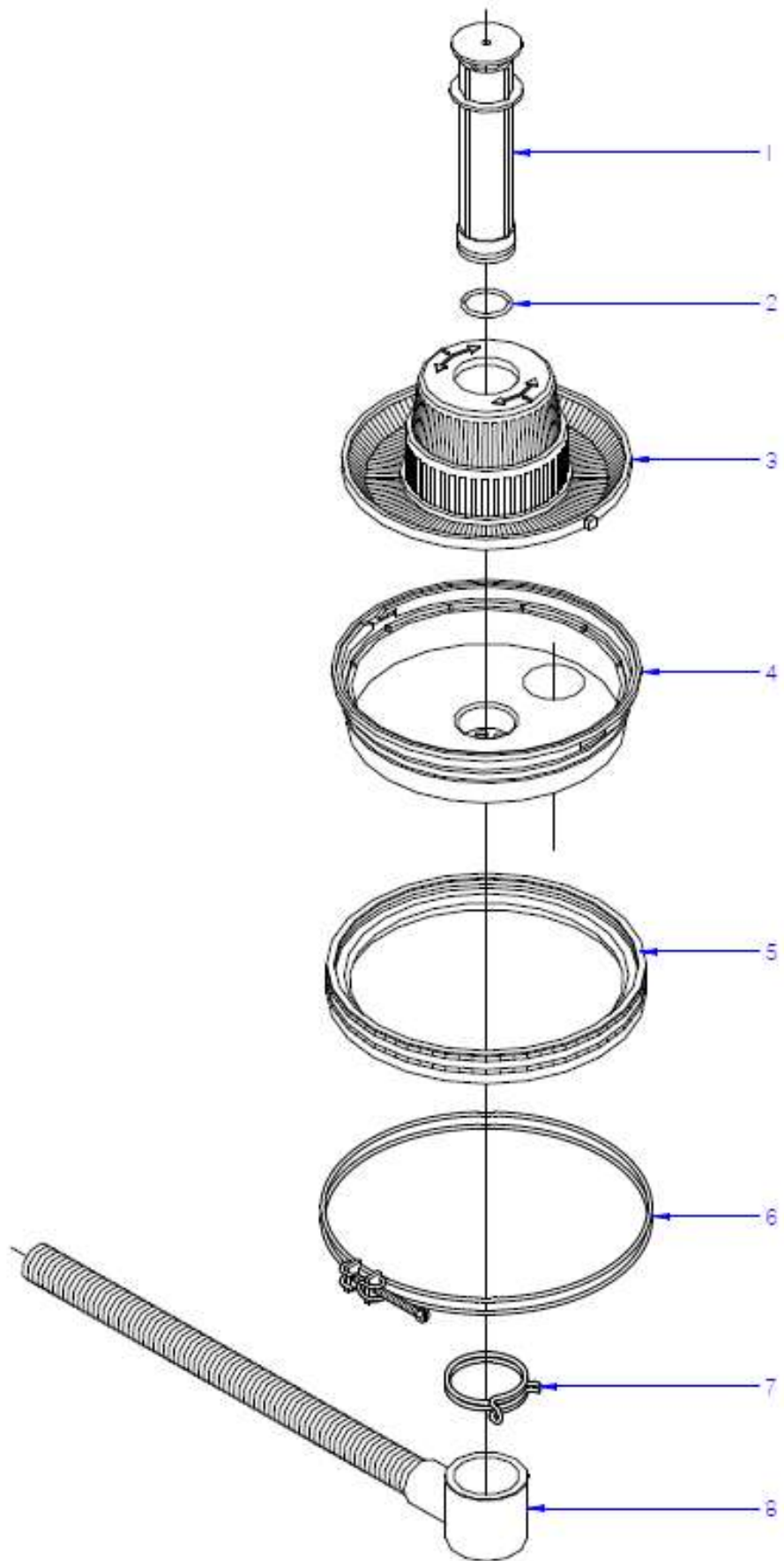
ZONA / ZONE		WASHING FUNCTIONAL PART										LÁMINA / DRAWING						UC_04	
ITEM	REFERENCIA REFERENCE	DENOMINACIÓN	DENOMINATION	G-OEM-510	G-OEM-510 DD	G-OEM-510 B	G-OEM-510 B DD	G-OEM-510 SA	G-OEM-510 DD SA	G-OEM-510 B SA	G-OEM-510 B DD SA					RECOMMENDED	ELIMINADO ELIMINATED	INTRODUCIDO INTRODUCED	NOTAS NOTES
1	12024367	CUBETA	TRAY	1	1	1	1	1	1	1	1								
2	12009933	ABRAZADERA 50-70L	CLAMP 50-70L	1	1	1	1	1	1	1	1								
3	12023683	CODO ASPIRACION 1003018	EXTRACTOR ELBOW 1003018	1	1	1	1	1	1	1	1								
4	12009962	ABRAZADERA 40-60	CLAMP 40-60	1	1	1	1	1	1	1	1								
5	12043287	BOMBA DE LAVADO <b>50Hz</b>	WASH PUMP <b>50Hz</b>	1	1	1	1	1	1	1	1				X				
5	12102834	BOMBA DE LAVADO <b>60Hz</b>	WASH PUMP <b>60Hz</b>	1	1	1	1	1	1	1	1				X				
6	12009962	ABRAZADERA 40-60	CLAMP 40-60	1	1	1	1	1	1	1	1								
7	12023689	CODO IMPULSION 1003017	IMPULSE ELBOW 1003017	1	1	1	1	1	1	1	1								
8	12022393	SOPORTE MOTOBO.F-3-4-5-6	MOTORPUMP SUPPORT F-3-4-5-6	1	1	1	1	1	1	1	1								
9	12023556	BASE BOMBA LAVADO 1003016	WASH PUMP BASE 1003016	1	1	1	1	1	1	1	1								
10	12024376	CONDENSADOR 10 M.F.	CONDENSER 10 M.F.	1	1	1	1	1	1	1	1								
11	12009933	ABRAZADERA 50-70L	CLAMP 50-70L	1	1	1	1	1	1	1	1								
12	12023613	PASAMUROS	BUSHING	1	1	1	1	1	1	1	1								
13	12010079	JUNTA TOR.50.17X60.83X5.3	O-RING 50.17X60.83X5.3	1	1	1	1	1	1	1	1								
14	12009976	JUNTA TOR.85.09X95.75X5.3	O-RING 85.09X95.75X5.3	2	2	2	2	2	2	2	2								
15	12009837	JUNTA TOR.13.94X19.18X2.6	O-RING 13.94X19.18X2.6	1	1	1	1	1	1	1	1								
16	12024480	SOPORTE DISTRIBUID. INFERIOR	LOWER DISTRIBUTOR SUPPORT	1	1	1	1	1	1	1	1								
17	12023844	EJE CENTRAL	CENTRAL SHAFT	2	2	2	2	2	2	2	2								
18	12025122	DISTRIBUIDOR MONTADO	DISTRIBUTOR MOUNTED	2	2	2	2	2	2	2	2								
19	12024289	AMARRE ENGANCHE DISTRIBUID.	DISTRIBUTOR HOOK	2	2	2	2	2	2	2	2								
20	12110631	ENGANCHE DISTRIBUIDOR	MOTORPUMP SUPPORT F-3-4-5-6	2	2	2	2	2	2	2	2								
21	12024375	TUERCA ESPECIAL M.14X1	SPECIAL NUT M.14X1	2	2	2	2	2	2	2	2								
22	12023524	RAMA DE ACLARADO IZQUIERDA	LEFT RINSE BRANCH	2	2	2	2	-	-	-	-								
22	12113595	RAMA DE ACLARADO IZQUIERDA SS	LEFT RINSE BRANCH SS	-	-	-	-	2	2	2	2								
23	12009829	TORNILLO ESPECIAL M.5X0.8	SPECIAL BOLT M.5X0.8	2	2	2	2	2	2	2	2								
24	12010079	JUNTA TOR.50.17X60.83X5.3	O-RING 50.17X60.83X5.3	1	1	1	1	1	1	1	1								
25	12024470	SOPORTE RAMAS ACLARADO	RINSE BRANCH SUPPORT	2	2	2	2	2	2	2	2								
26	12023527	RAMA DE ACLARADO DERECHA	RIGHT RINSE BRANCH	2	2	2	2	-	-	-	-								
26	12113596	RAMA DE ACLARADO DERECHA SS	RIGHT RINSE BRANCH SS	-	-	-	-	2	2	2	2								
27	12024077	TOBERA ACLARADO	RINSE NOZZLE	12	12	12	12	-	-	-	-								



ZONA / ZONE WASHING FUNCTIONAL PART

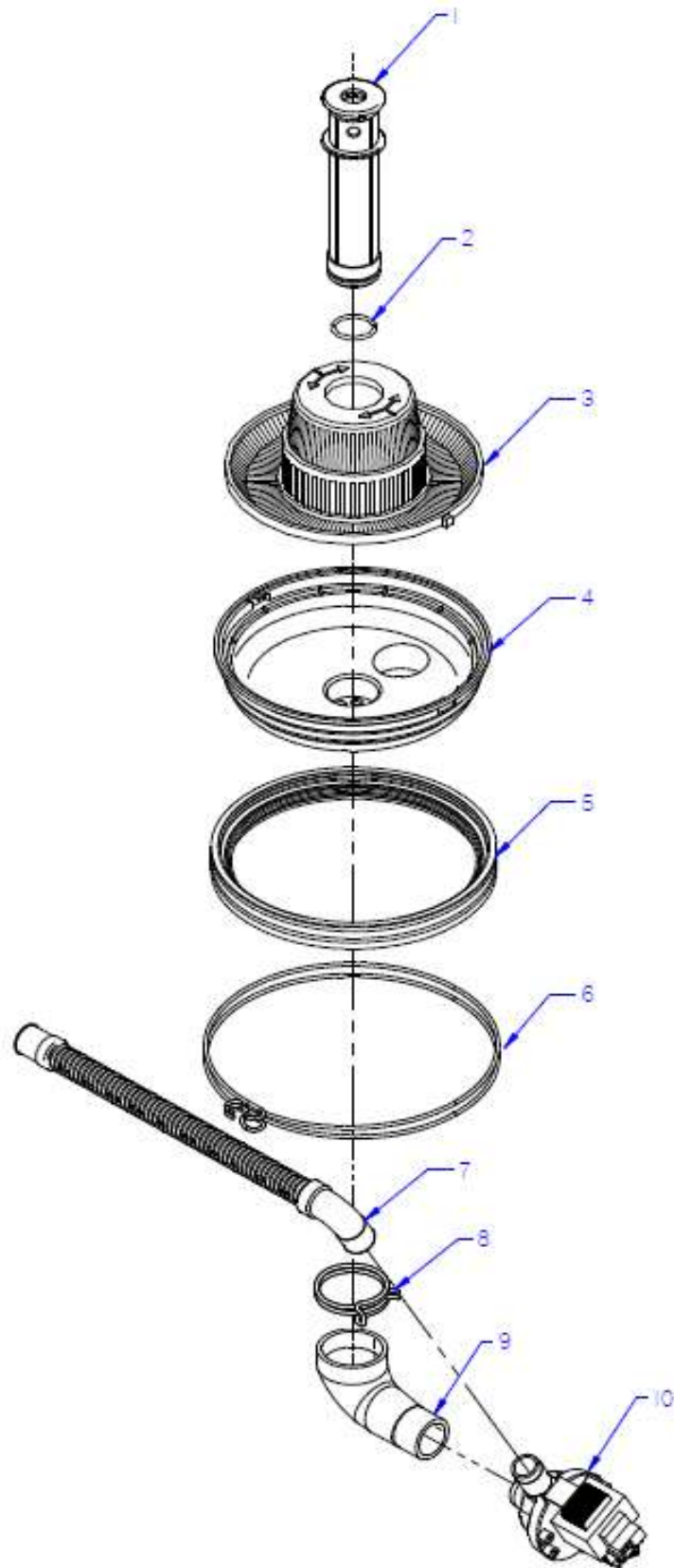
LÁMINA / DRAWING UC\_04

ITEM	REFERENCIA REFERENCE	DENOMINACIÓN	DENOMINATION	G-OEM-510										RECOMENDED	ELIMINADO ELIMINATED	INTRODUCIDO INTRODUCED	NOTAS NOTES
				G-OEM-510	G-OEM-510 DD	G-OEM-510 B	G-OEM-510 B DD	G-OEM-510 SA	G-OEM-510 DD SA	G-OEM-510 B SA	G-OEM-510 B DD SA						
27	12024252	TOBERA ACLARADO SS	RINSE NOZZLE SS	-	-	-	-	12	12	12	12						
28	12009912	JUNTA TORICA 5.28X8.84X1.78	O-RING 5.28X8.84X1.78	12	12	12	12	-	-	-	-						
29	12024006	ENGANCHE TOBERA ACLARADO	RINSE NOZZLE HOOK	12	12	12	12	-	-	-	-						
30	12023699	ARBOL DE LAVADO	WASH CAM	1	1	1	1	1	1	1	1						
31	12009997	ABRAZADERA 25-40	CLAMP 25-40	2	2	2	2	2	2	2	2						
32	12024471	SOPORTE DISTRIBUIDOR SUPER.	UPPER DISTRIBUTION SUPPORT	1	1	1	1	1	1	1	1						
33	12024531	PASAMUROS INOX DETERGENTE	INOX DETERGENT WALL BUSHING	-	1	-	1	-	1	-	1						
34	11000079	CONDUCTO DOSIF. TRANSPARENTE	TRANSPAR. EXTRACTOR PIPE	-	1	-	1	-	1	-	1						
35	12176078	SOPORTE DOSIFICADOR	FEEDER SUPPORT	-	1	-	1	-	1	-	1						
36	12133011	DOSIFI. DGTE REGULABLE	ADJUST.DETERGENT DISPENSER	-	1	-	1	-	1	-	1						
37	12024139	CONDUCTO ASPIRACIÓN DGTE	DETERGENT ASPIRATION COND.	-	1	-	1	-	1	-	1						
38	12164632	PESO FILTRO	FILTER WEIGHT	-	1	-	1	-	1	-	1						



Drawing No.	Signature	Date	Device	GRAVITY DRAINAGE FUNCTIONAL PART	Sheet	ONNERA GROUP
UC_05	Aitor U.	02-2018	FRONT LOADING DW OEM-500		5	

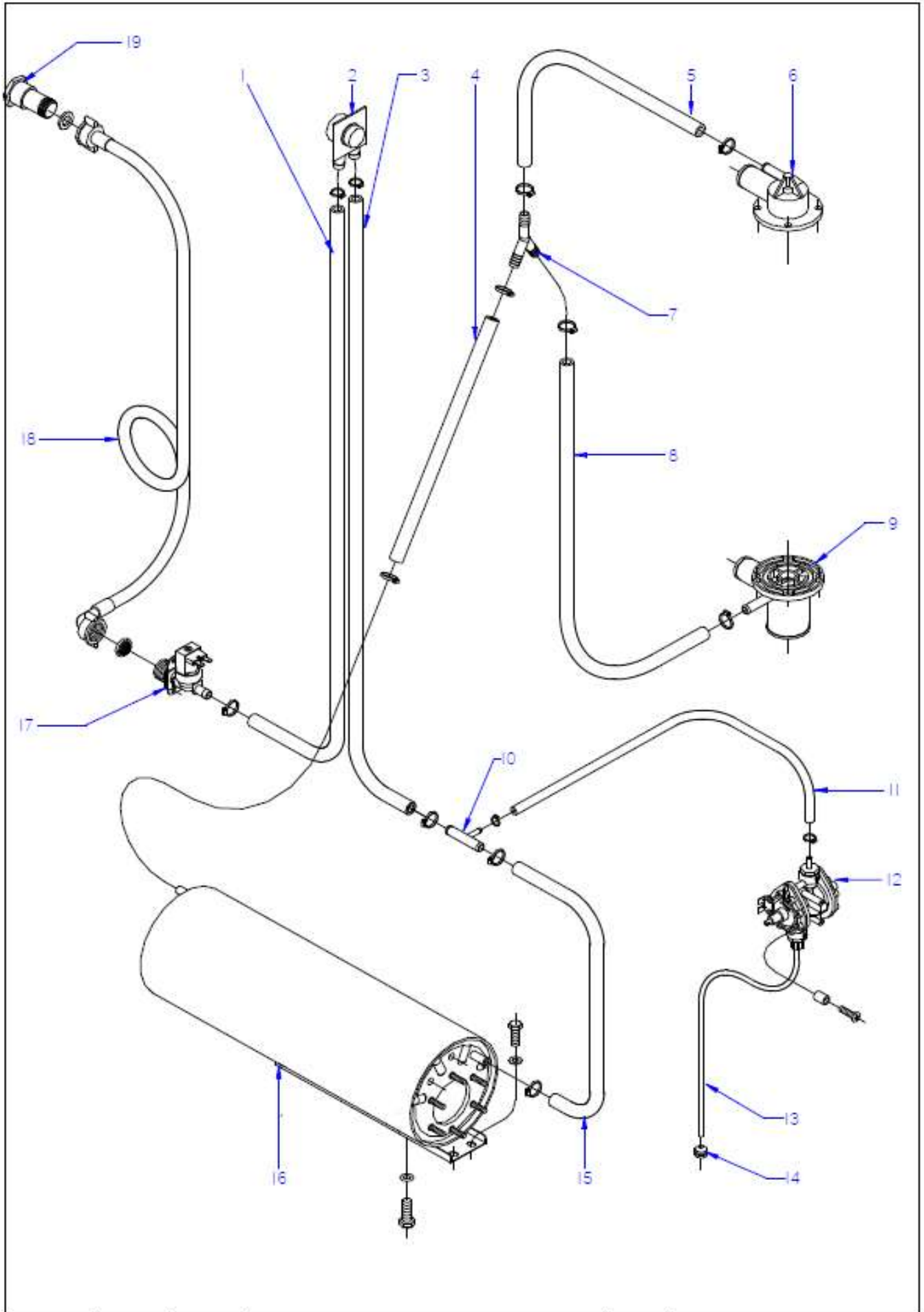
ITEM	REFERENCIA REFERENCE	DENOMINACIÓN	DENOMINATION	G-OEM-510	G-OEM-510 SA	G-OEM-510 DD	G-OEM-510 DD SA											ELIMINADO ELIMINATED	INTRODUCIDO INTRODUCED	NOTAS NOTES	
1	12153291	ALIVIADERO UC 500	Overflow Cork UC 500	1	1	1	1														
2	12010165	JUNTA TOR.36.17X41.41X2.6	O-RING 36.17X41.41X2.6	1	1	1	1														
3	12024410	CONJUNTO FILTRO AF.	FILTER AF.	1	1	1	1														
4	12024367	CUBETA	TRAY	1	1	1	1														
5	12024556	JUNTA CUBETA	TRAY SEAL	1	1	1	1														
6	12023841	ABRAZADERA CUBETA COMPL.	TRAY CLAMP	1	1	1	1														
7	12007966	ABRAZAD. ELAST. 56-58.8	ELASTIC CLAMP 56-58.8	1	1	1	1														
8	12024473	MANGUERA DESAGUE	DRAINAGE HOSE	1	1	1	1														



Drawing No.	Signature	Date	Device	DRAIN PUMP DRAINAGE FUNCTIONAL PART	Sheet	ONNERA GROUP
UC_06	Aitor U.	02-2018	FRONT LOADING DW	OEM-500	6	

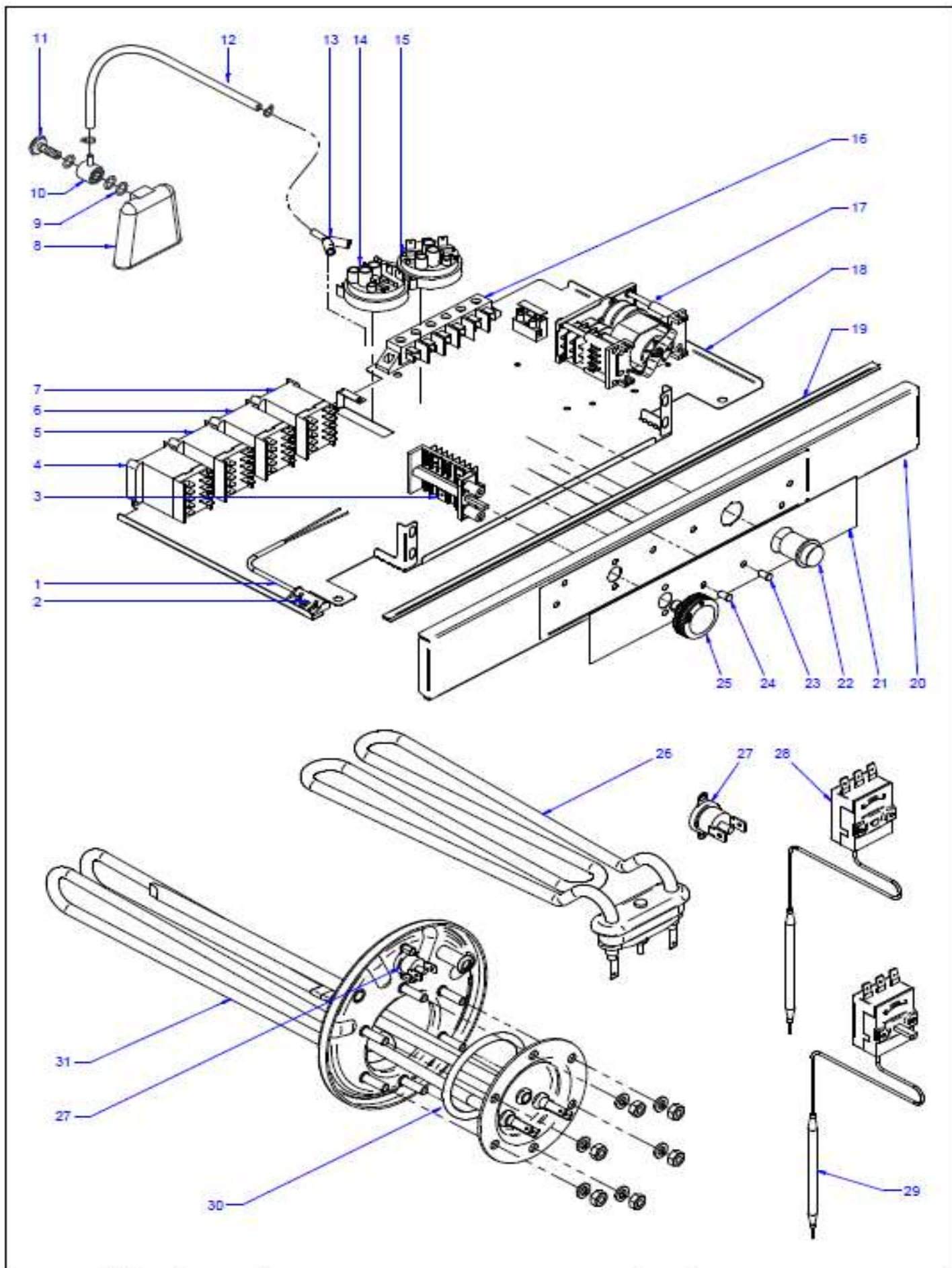
ZONA / ZONE	DRAIN PUMP DRAINAGE FUNCTIONAL PART	LÁMINA / DRAWING	UC_06
-------------	-------------------------------------	------------------	-------

ITEM	REFERENCIA REFERENCE	DENOMINACIÓN	DENOMINATION	G-OEM-510 B	G-OEM-510 B SA	G-OEM-510 B DD	G-OEM-510 B DD SA											RECOMMENED	ELIMINADO ELIMINATED	INTRODUCIDO INTRODUCED	NOTAS NOTES	
1	12153290	ALIVIADERO UC-500 MOD.B	OVERFLOW CORK UC-500 MOD. B	1	1	1	1															
2	12010165	JUNTA TOR.36.17X41.41X2.6	O-RING 36.17X41.41X2.6	1	1	1	1															
3	12024410	CONJUNTO FILTRO AF.	FILTER AF.	1	1	1	1															
4	12024367	CUBETA	TRAY	1	1	1	1															
5	12024556	JUNTA CUBETA	TRAY SEAL	1	1	1	1															
6	12023841	ABRAZADERA CUBETA COMPL.	TRAY CLAMP	1	1	1	1															
7	12023666	MANGUERA DESAGUE	DRAINAGE HOSE	1	1	1	1															
8	12007966	ABRAZAD. ELAST. 56-58.8	ELASTIC CLAMP 56-58.8	1	1	1	1															
9	12091075	CONDUCTO ASPIRACION BOMBA	PUMP VACUUM PIPE	1	1	1	1															
10	12094265	MOTOBOMBA 37 kW 50/60Hz	MOTOR PUMP 37KW 50/60Hz	1	1	1	1										X					



Drawing No.	Signature	Date	Device	RINSING FUNCTIONAL PART	Sheet	ONNERA GROUP
UC_07	Aitor U.	02-2018	FRONT LOADING DW OEM-500		7	

ZONA / ZONE		PARTE FUNCIONAL ACLARADO / RINSING FUNCTIONAL PART										LÁMINA / DRAWING					UC_07		
ITEM	REFERENCIA REFERENCE	DENOMINACIÓN	DENOMINATION	G-OEM-510	G-OEM-510 DD	G-OEM-510 B	G-OEM-510 B DD	G-OEM-510 SA	G-OEM-510 DD SA	G-OEM-510 B SA	G-OEM-510 B DD SA					RECOMMENDED	ELIMINADO ELIMINATED	INTRODUCIDO INTRODUCED	NOTAS NOTES
1	12153568	CONDUCTO EV-ANTIRETORNO	EV - ANTIRETURN VALVE HOSE	1	1	1	1	1	1	1	1	1							
2	12024568	VALVULA ANTIRRETORNO	NON-RETURN VALVE	1	1	1	1	1	1	1	1	1							
3	12153570	CONDUCTO ANTIRETORNO-T	NON-RETURN - T FITTING HOSE	1	1	1	1	1	1	1	1	1							
4	12153571	CONDUCTO CALDERIN Y	BOILER - Y RACORD HOSE	1	1	1	1	1	1	1	1	1							
5	12153573	CONDUCTO ACLARADO SUPERIOR	UPPER RINSE HOSE	1	1	1	1	1	1	1	1	1							
6	12024471	SOPORTE DISTRIB. SUPERIOR	UPPER DISTRIB. SUPPORT	1	1	1	1	1	1	1	1	1							
7	12023511	RACORD EN Y	Y CONNECTION	1	1	1	1	1	1	1	1	1							
8	12153572	CONDUCTO ACLARADO INFERIOR	LOWER RINSE HOSE UC-500	2	2	2	2	2	2	2	2	2							
9	12023613	PASAMUROS	FEEDTHROUGH	1	1	1	1	1	1	1	1	1							
S/Nº	12041731	ABRAZADERA 12-20	CLAMP 12/20	12	12	12	12	12	12	12	12	12							
10	12025288	TOMA PRESION	PRESSURE INTAKE	1	1	1	1	1	1	1	1	1							
11	12153565	CONDUCTO SALIDA ABRILLANTA.	RINSE OUTLET HOSE	1	1	1	1	1	1	1	1	1							
S/Nº	12010047	ABRAZADERA 8-14L	CLAMP 8-14L	2	2	2	2	2	2	2	2	2							
12	121330010	DOSIFICADOR_ABRILLANTADOR_AQI	RINSE AID DISPENSER	1	1	1	1	1	1	1	1	1			X				
13	12092499	CONDUCTO ABRILLANTADOR	POLISH DUCT	1	1	1	1	1	1	1	1	1							
14	12024353	PESO FILTRO	FILTER WEIGHT	1	1	1	1	1	1	1	1	1							
15	12153569	CONDUCTO T - CALDERIN	T FITTING - BOILER HOSE	1	1	1	1	1	1	1	1	1							
16	12022943	CALDERIN COMPLETO	COMPL. BOILER	1	1	1	1	1	1	1	1	1							
17	12025161	ELECTR. SIMP.220V COD.255.208	SIMPLE SOLENOID VALVE	1	1	1	1	1	1	1	1	1			X				
18	12024115	MANGUERA ENTRADA AGUA	WATER INTAKE HOSE	1	1	1	1	1	1	1	1	1							
18	12115397	MANGUERA ENTR. WATERMARK	WATERMARK INTAKE HOSE	1	1	1	1	1	1	1	1	1							
19	12115508	VALVULA ANTIRR. WATERMARK	NON-RET. VALVE WATERMARK	1	1	1	1	1	1	1	1	1							
19	12115508	VALVULA ANTIRR. WATERMARK	NON-RET. VALVE WATERMARK	1	1	1	1	1	1	1	1	1							



N. plano / Drawing N.	Firma / Signature	Fecha / Date	Apelato / Appliance	ARMAZIONI / FRAME	Lamina / Sheet	<b>ONNERA POLAND</b>
UC_10	Filip S.	02/2019		UC-EASY	1	

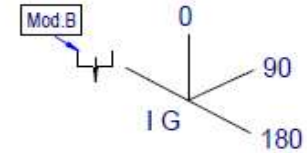
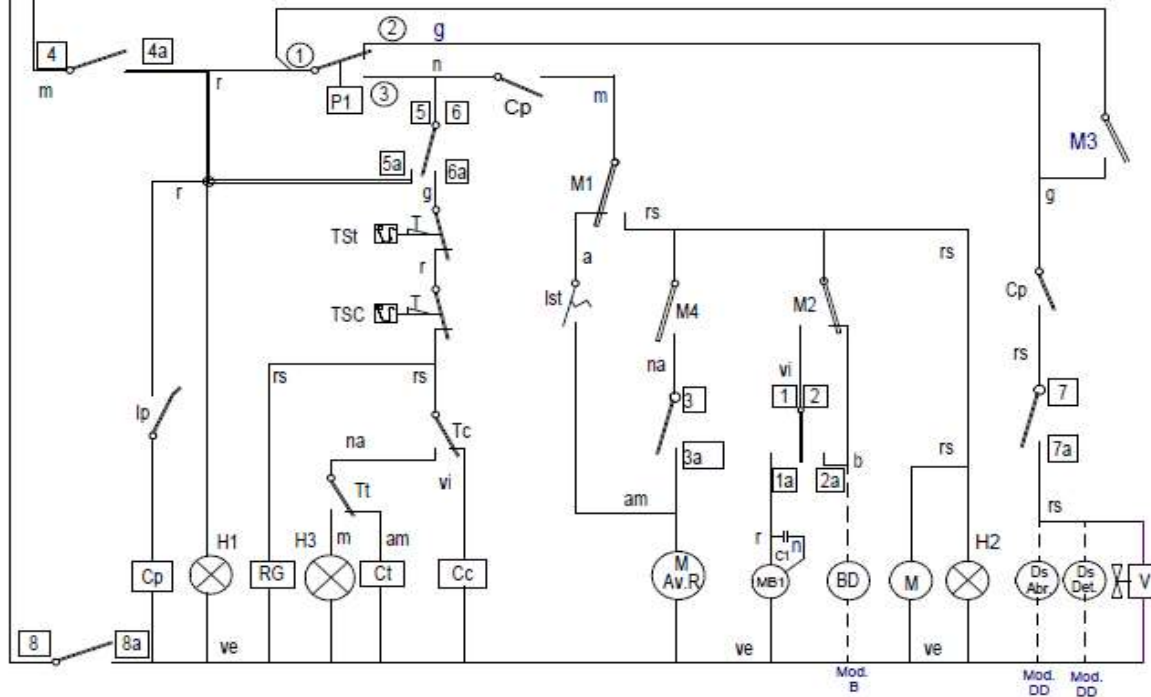
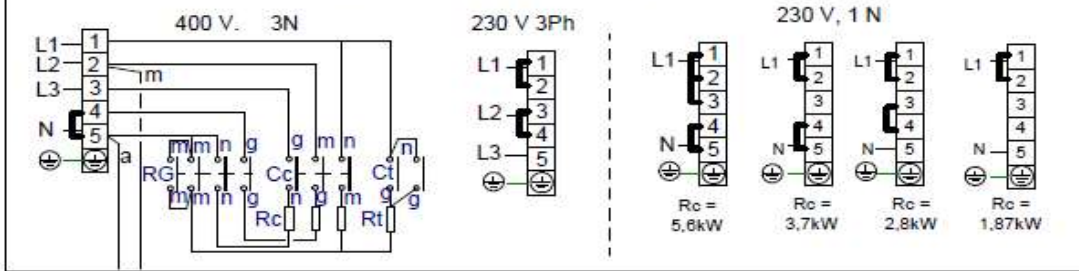


ZONA / ZONE		PARTE FUNCIONAL ELECTRICA / ELECTRIC FUNCTIONAL PART										LÁMINA / DRAWING					UC_10		
ITEM	REFERENCIA REFERENCE	DENOMINACIÓN	DENOMINATION	G-OEM-510	G-OEM-510 DD	G-OEM-510 B	G-OEM-510 B DD	G-OEM-510 UK	G-OEM-510 DD UK	G-OEM-510 B UK	G-OEM-510 B DD UK					RECOMMENDED	ELIMINADO ELIMINATED	INTRODUCIDO INTRODUCED	NOTAS NOTES
1	12024477	INTERRUPTOR MAGNETICO	MAGNETIC SWITCH	1	1	1	1	1	1	1	1								
2	12024066	AMARRE INTERRUPT. MAGNETICO	MAGNETIC SWITCH FASTENER	1	1	1	1	1	1	1	1								
3	12024445	CONMUTADOR DE FUNCIONES	FUNCTIONS SWITCH	1	1	1	1	1	1	1	1								
S/Nº	12024067	CASQUILLO	BUSHING	2	2	2	2	2	2	2	2								
4	12023706	RELE 230V. 16A 50-60 HZ	RELAY 230V. 16A 50-60 HZ	1	1	1	1	1	1	1	1					X			
5	12024011	CONTACTOR 230 V. 50-60 HZ 16A	CONTACTOR 230 V 50-60HZ 16A	1	1	1	1	1	1	1	1					X			
6	12024011	CONTACTOR 230 V. 50-60 HZ 16A	CONTACTOR 230 V 50-60HZ 16A	1	1	1	1	1	1	1	1					X			
7	12024011	CONTACTOR 230 V. 50-60 HZ 16A	CONTACTOR 230 V 50-60HZ 16A	1	1	1	1	1	1	1	1					X			
8	12024350	CAMARA PRESOSTATO	PRESSURE SWITCH	1	1	1	1	1	1	1	1								
9	12009873	JUNTA TORICA 16.01X10.77X2.62	O-RING 16.01X10.77X2.62	3	3	3	3	3	3	3	3								
10	12024157	EMPALME PRESOSTATO	PRESSURE SWITCH CONNEX	1	1	1	1	1	1	1	1								
11	12024222	TORNILLO PRESOSTATO	PRESSURE SWITCH BOLT	1	1	1	1	1	1	1	1								
12	12153585	CONDUCTO PRESOSTATO	PRESOSTAT HOSE	1	1	1	1	1	1	1	1								
S/Nº	12023707	BRIDA ELASTICA TUBO	ELASTIC PIPE FLANGE	2	2	2	2	2	2	2	2								
13	12023510	RACORD EN Y	Y-CONNECTION	-	-	-	-	-	-	-	-								
14	12023802	PRESOSTATO SIMPLE 2-4 bar	2-4 bar SIMPLE PRESOSTAT	1	1	1	1	1	1	1	1					X			
15	12023805	PRESOSTATO SIMPLE 7,5-9,5bar	7,5-9,5bar SIMPLE PRESOSTAT	-	-	-	-	-	-	-	-					X			
16	12024382	REGLETA AUXILIAR 3 CONEXIONES	3 WAY ELECTRIC CONNECTOR	1	1	1	1	1	1	1	1								
17	12024177	PROGRAMADOR CICLO <b>50Hz</b>	CYCLE PROGRAMMER <b>50Hz</b>	1	1	1	1	1	1	1	1					X			
17	12024179	PROGRAMADOR CICLO <b>60Hz</b>	CYCLE PROGRAMMER <b>60 Hz</b>	1	1	1	1	1	1	1	1					X			
18	12170235	BASE COMPONENTES ELÉCTRICOS	ELECTRIC COMPONENT BASE	1	1	1	1	1	1	1	1								
19	12183263	BURLETE SELLADO TAPA	UC-500 LID SEALING PROFILE	1	1	1	1	1	1	1	1								
20	*	PANEL DE CONTROL	CONTROL PANEL	1	1	1	1	1	1	1	1								Check Optionals
21	*	EMBELLECEDOR G-OEM 500	G-OEM-500 STICKER	1	1	1	1	1	1	1	1								Check Optionals
22	12169232	PULSADOR ARRANQUE PROGRAM.	PROGRAM START BUTTON	1	1	1	1	1	1	1	1				X	14/09/2020			
22	12266995	PULSADOR ARRANQUE PROGRAM.	PROGRAM START BUTTON	1	1	1	1	1	1	1	1				X		14/09/2020	8102102710	
23	12169231	PILOTO LED VERDE	GREEN LED LIGHT	1	1	1	1	1	1	1	1				X				
24	12169230	PILOTO LED AZUL	BLUE LED LIGHT	1	1	1	1	1	1	1	1				X				
25	12170489	BOTON DE MANDO G-OEM 510	G-OEM-510 CONTROL KNOB	1	1	-	-	1	1	-	-								
25	12170490	BOTON DE MANDO G-OEM-510 B	G-OEM-510 B KNOB	-	-	1	1	-	-	1	1								

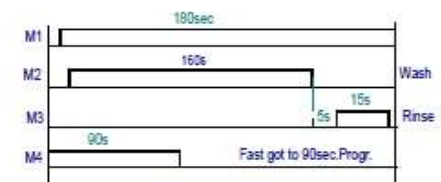
ZONA / ZONE		PARTE FUNCIONAL ELECTRICA / ELECTRIC FUNCTIONAL PART										LÁMINA / DRAWING							UC_10			
ITEM	REFERENCIA REFERENCE	DENOMINACIÓN	DENOMINATION	G-OEM-510	G-OEM-510 DD	G-OEM-510 B	G-OEM-510 B DD	G-OEM-510 UK	G-OEM-510 DD UK	G-OEM-510 B UK	G-OEM-510 B DD UK							RECOMMENDED	ELIMINADO ELIMINATED	INTRODUCIDO INTRODUCED	NOTAS NOTES	
S/Nº	12024516	BURLETE MANDO	SWITCH JOINT	1	1	1	1	1	1	1	1											
26	12122629	RESISTENCIA CUBA 2.8 kW	TANK HEATER 2.8 kW	1	1	1	1	-	-	-	-							X				
26	12090524	RESISTENCIA CUBA 2 kW	TANK HEATER 2 kW	-	-	-	-	1	1	1	1							X				
27	12096597	TERMOSTATO LIMITADOR	SECURITY THERMOSTAT	2	2	2	2	2	2	2	2							X				
28	12161299	TERMOSTATO 60°C	THERMOSTAT 60°C	1	1	1	1	1	1	1	1							X				
29	12134992	TERMOSTATO 27-85°C	THERMOSTAT 27-85°C	1	1	1	1	1	1	1	1							X				
30	12010051	JUNTA TORICA 62,87x73,53x5,33	O-ring 62,87x73,53x5,33	1	1	1	1	1	1	1	1											
31	12098745	RESISTENCIA CALDERIN 5.6 Kw	BOILER HEATER 5.6 kW	1	1	1	1	1	1	1	1							X				

ZONA / ZONE		VARIOS / MISCELLANEOUS										LÁMINA / DRAWING									
ITEM	REFERENCIA REFERENCE	DENOMINACIÓN	DENOMINATION	G-OEM-510	G-OEM-510 DD	G-OEM-510 B	G-OEM-510 B DD	G-OEM-510 UK	G-OEM-510 DD UK	G-OEM-510 B UK	G-OEM-510 B DD UK						RECOMMENDED	ELIMINADO ELIMINATED	INTRODUCIDO INTRODUCED	NOTAS NOTES	
	12218977	FOLLETO INSTRUC. G-OEM 500	MANUAL INST. G-OEM 500	1	1	1	1	1	1	1	1										
	12130654	ESQUEMA TEORI. G-OEM-510	THEOR. DIAGRAM G-OEM-510	1	1	1	1	1	1	1	1										
	12130748	PLANO DE MONTAJE G-OEM-510	ASSEMBLY PLAN OEM G-OEM-510	1	1	1	1	1	1	1	1										
	12130753	PLANO MONTAJE G-OEM 510 W	ASSEMBLY PLAN G-OEM 510 W	-	-	-	-	-	-	-	-										
	12130058	CABLEADO G-OEM-510	WIRING OEM G-500	1	1	1	1	1	1	1	1						14/09/2020				
	12259714	CABLEADO G-OEM-510 NEW	WIRING OEM G-500 NEW	1	1	1	1	1	1	1	1							14/09/2020	8102102710		
	12222524	CABLE DE ALIM. 3x6 mm2	POWER WIRING 3x6 mm2	-	-	-	-	1	1	1	1										
	12024651	CABLE DE ALIMENTACION	POWER WIRING	1	1	1	1	-	-	-	-										
	12160496	ADAPTADOR PILOTOS LED	LED LIGHT ADAPTER	2	2	2	2	2	2	2	2										
	12103338	LEYENDA APERTURA FRONTAL	LEGEND FRONT LOADING DW	1	1	1	1	1	1	1	1										

# EASY 500 HP, B, DD



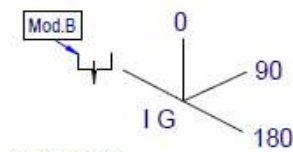
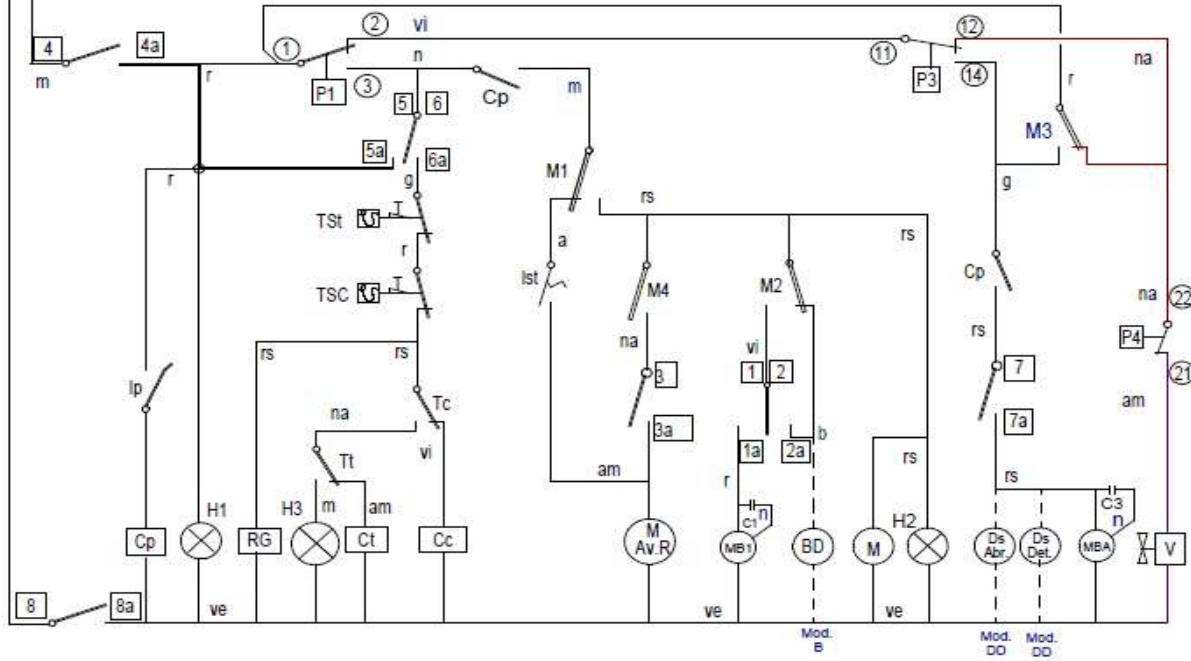
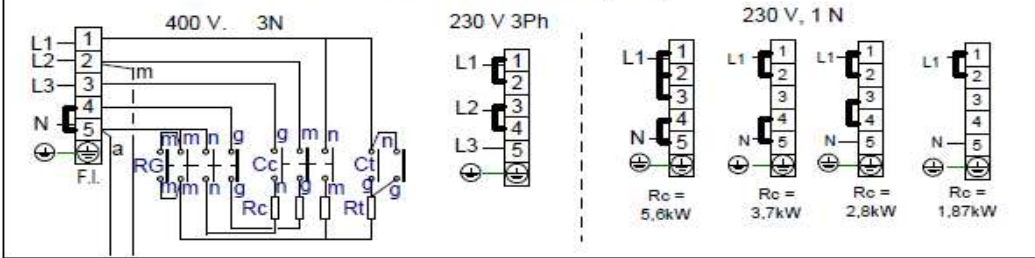
I G	1-1a	2-2a	3-3a	4-4a	5-5a	6-6a	7-7a	8-8a
0		X		X	X			X
90	X		X	X		X	X	X
180	X			X		X	X	X



12130654

- Esquema teorico Easy 500 HP				- 12130654							
Nº		TITLE		QTY		CODE		MATERIAL		TREATMENT	
GENERAL TOLERANCES: ISO 2768-1				Very Coarse				SHEET FORMAT: A3			
DESIGN CENTER: ONNERA GROUP				MATERIAL STATUS: ONA				DOC STATUS:			
DESIGNED BY: M.MAILLO				VALIDATED BY: A.G.				DATE: 09.11.2015			
SHEET: 1 / 1				SCALE:				LAVAVAJILLAS			
12130654				REVISION				PROPOSED BY: M.MAILLO			
				ISSUE DATE:							

# EASY 500 HP W, B, DD



P1: 40 / 20mm  
P3: 155 / 40mm  
P4: 165 / 95mm

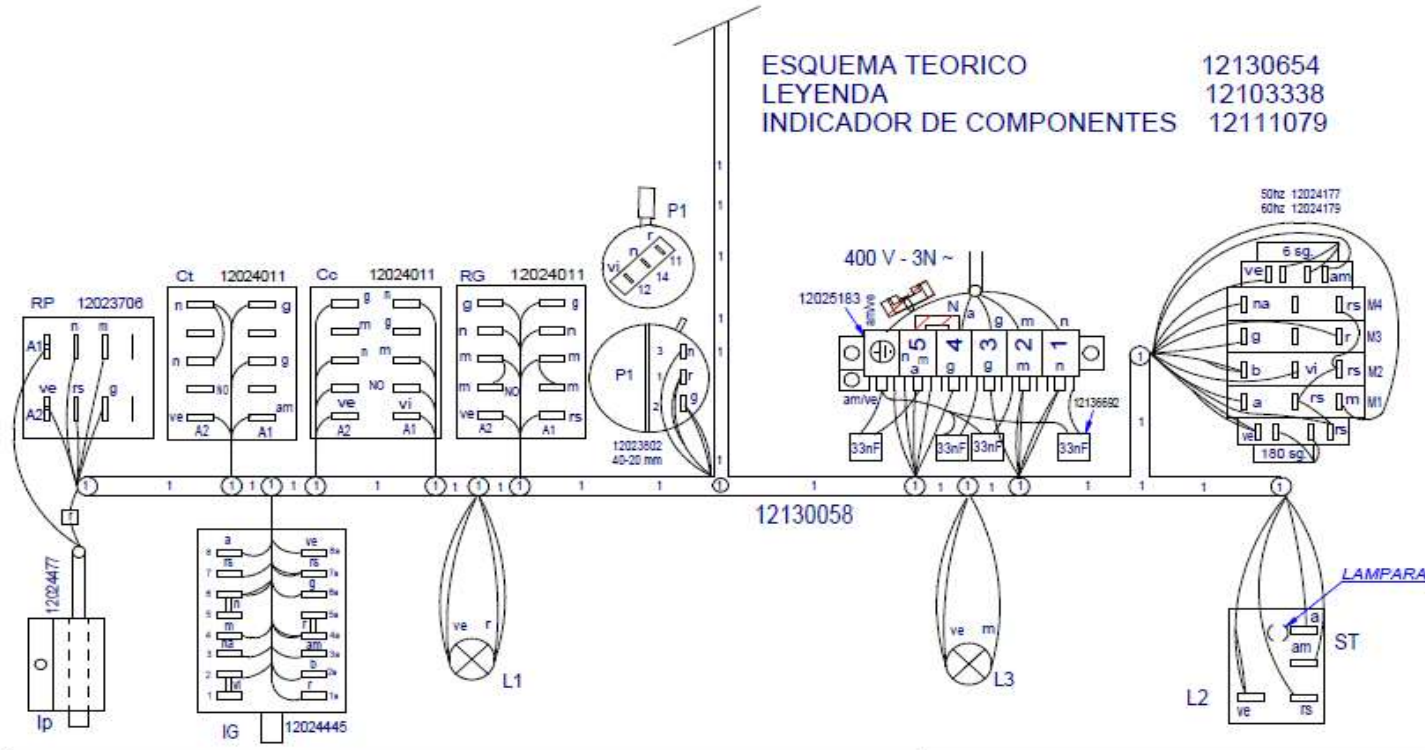
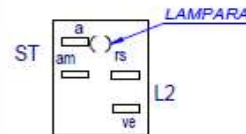
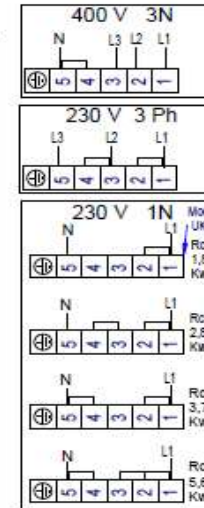
IG	1 1a	2 2a	3 3a	4 4a	5 5a	6 6a	7 7a	8 8a
0		X		X	X			X
90	X		X	X		X	X	X
180	X		X		X	X	X	X



12130659

- Esquema teorico Easy 500 W HP		- 12130659	
Nº	TITLE	QTY	MATERIAL
GENERAL TOLERANCES: ISO 2768-1 Very Coarse		TREATMENT	
SHEET FORMAT: A3		DESIGN CENTER: ONA	
MAT STATUS:		DOC STATUS:	
SHEET: 1 / 1		SCALE:	
DESIGNED BY: M.MAILLO		VALIDATED BY: A.G.	
DATE: 09.11.2015		SCALE:	
12130659		REVISION	
PROPOSED BY: M.MAILLO		ISSUE DATE:	

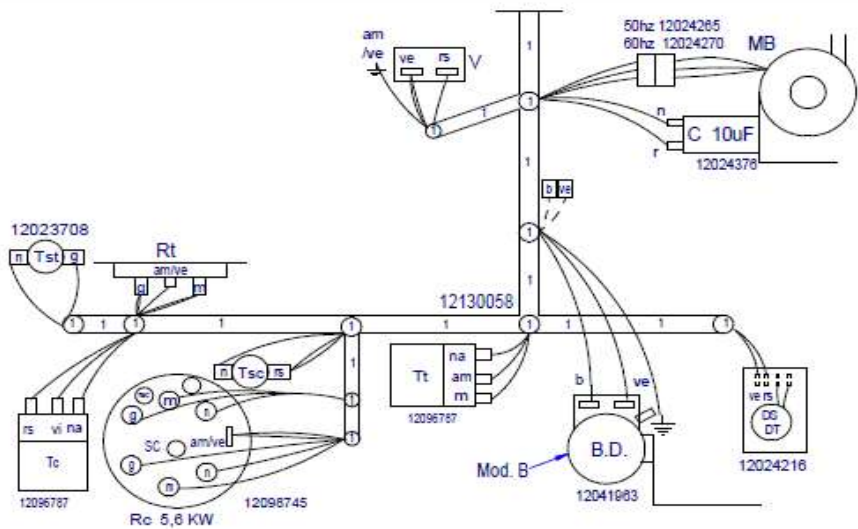
ESQUEMA TEORICO 12130654  
 LEYENDA 12103338  
 INDICADOR DE COMPONENTES 12111079



Nota: Todos los cables hembra que queden sin conectar se les colocaran una funda macho Q-578006

# Montaje Easy 500HP

12130748



- Plano Montaje Easy 500 HP		- 12130748			
NP	TITLE	QTY	CODE	MATERIAL	TREATMENT
GENERAL TOLERANCES ISO 2765-1 Very Coarse			ONNERA GROUP		
ISO 2765-1	ISO 2765-1	ISO 2765-1	ISO 2765-1	ISO 2765-1	ISO 2765-1
LAVAVAJILLAS			DESIGNED BY	VALIDATED BY	DATE
12130748			M. MAILLO	A. G.	11.11.2015
PROPOSED BY:		M. MAILLO		ISSUE DATE:	



	ESPAÑOL	ENGLISH	FRANÇAIS	DUTSCH	ITALIANO	PORTUGUES
	Tierra de protección	Grounding	Mise à terre	toma de tierra? Erdung	Messa a terra	
P	Puente de Conexión	Terminal block bridge	Pontage pour bloc de jonction	Verbindungsblockanschluss	Porte di connessione	
BA	Bomba Aclarado	Rinse pump	Pompe de rinçage	Spülmittel dossierpumpe	Pompa di risciacquo	
BD	Bomba desague	Drain pump	Pompe de vidange	Abflubbpumpe	Pompa scarico	
C, C1, C2	Condensador	Capacitor	Condensateur	kondensator	Condensatore	
CMB	Contactador bomba lavado	Wash pump contactor	Contacteur pompe de lavage	Turrelais	Contactore pompa lavaggio	
Cc	Contactador calentamiento calderín	Boiler heating contactor	Contacteur chauffage surchauffeur	Kontaktschutz Waschpumpe	Contactore riscaldamento boiler	
Ct	Contactador calentamiento tanque	Tank heating contactor	Contacteur chauffage cuve	Kontaktschutz Boilerheizung	Contactore riscaldamento serbatoio	
CP	Relé puerta	Door relay	Relais de porte	Kontaktschutz Heizung tank	Relè porta	
Ds, Abr	Dosificador Abrillantador	Dispenser	Distributeur	Klarspülmittel dossierpumpe	Dosatore brillantante	
Ds, Det.	Dosificador Detergente	Detergent dispenser	Distributeur de détergent	Dosierer Spülmittel	Dosatore detergente	
F	Fusible	Fuse	Fusible	Fuse	Fusibile	
H1	Lampara encendido	Operation light	Voyant fonctionnement	Betriebsanzeigelampe	Spia accensione	
H2, H5	Lampara de marcha	Start light	Voyant démarrage	Startanzeigelampe	Spia avvio	
H3	Lampara maquina preparada	Light machine ready	Voyant machine prêt	Betriebsbereitschaftsanzeigelampe	Pilota macchina preparata	
H4	Lampara falta Sal	Lamp salt missing	Lampe absence sel	Lampe Mangel Salz	Spia sale mancante	
HRS	Sistema recuperador energia	Heat Recovery System	Systeme de récupération de chaleur	System für Hitze-Rückgewinnung	Sistema con recupero di calore	
IG	Interruptor general	Main switch	Interrupteur général	Hauptschalter	Interruttore generale	
IP	Micro puerta	Door microswitch	Micro porte	Mikroschalter Tür	Micro porta	
let	Pulsador marcha	push button start	bouton de démarrage	Schalter (Ein)	Pulsante inizio	
L1 L2 L3	Fases Conexión Eléctrica	Power Supply Phases	Phases de alimentation	Stromanschlussfase	Fasi di alimentazione	
MB1, MB2	Bomba lavado	Wash Pump	Pompe de lavage	Waschpumpe	Pompa lavaggio	
M	Motor Programador lavado	Wash timer Motor	Programmeur Moteur lavage	Motor Programmiervorrichtung	Motore programmatore	
Mar.R	Motor Avance rapido Prg. Lav	Fast Forward Motor Prg. Wash	Moteur Avance rapide Prg. Lav	Motor Programmiervorrich Betrieb	Motore programmatore avanzamento rapido	
M1, 2, 3, 4, 5	Micros Programador Lavado	Wash Programmer switch	laver micro-programmeur	Motor Programmiervorrich Spülen	Micro programmatore di lavaggio	
M20, 21, 22, 23	Programador Regeneracion	Regeneration Timer	Programmeur régénération	Regenerierungsprogramm	Timer di rigenerazione	
P	Puente	Electric bridge	Pont électrique	Elektrischesleg	Porte elettrico	
P1	Presostato Tanque	Tank Pressure switch	Pressostat de cuve	Tank Druckwächter	Pressostato serbatoio	
P2	Presostato Bomba desague	Drain pump Pressure switch	Pressostat de Pompe de vidange	Abflubbpumpe Druckwacher	Pressostato pompa scarico	
P3	Presostato calderín	Boiler Pressure switch	Pressostat de surchauffeur	Boiler Druckwächler	Pressostato boiler	
PRG	Programador Electronico	Electric progammer	Programmeur électronique	Elektronischer Programmierer	Programmatore elettronico	
PRG P2	Puente Soft Start	Soft Start Jumper	Soft Start Cavalier	Soft Start Brücke	Porte Soft Start	
Rc	Resistencia calderín	Boiler heating element	Resistance surchauffeur	Heizwiderstand Boiler	Resistenza boiler	
RG	Relé General	Main Relay	Relais pncipal	Stromversorgungsanschluß Genor.	Relè generale	
RST	Relé Marcha	Start up relay		Relais	Relè inizio	
Rt	Resistencia tanque	Tank heating element	Resistance cuve	Heizwiderstand tank	Resistenza serbatoio	
SC	Sonda Temperatura Calderin	Boiler temperature sensor	Surchauffeur capteur de température	Temperatursensor Boiler	Boiler sonda temperatura	
ST	Sonda Temperatura tanque	Tank temperature sensor	Cuve capteur de température	Temperatursensor Tank	Serbatoio sonda temperatura	
TC	Termostato calderín	Boiler thermostat	Thermostat surchauffeur	Thermostat kessel	Termostato boiler	
Tmp	Temporizador	Timer	Minuteur	Timer	Timer	
TRF	Transformador	Transformer	Transformateur	Transformator	Trasformatore	
TSC	Termostato Limitador calderín	Boiler Hi-limit thermostat	Thermostat Limiteur surchauffeur	Begrenzer Boiler	Limitatore boiler	
TST	Termostato Limitador tanque	Tank Hi-limit thermostat	Thermostat Limiteur de cuve	Begrenzer tank	Limitatore serbatoio	
TT	Termostato tanque	Tank thermostat	Thermostat de cuve	Thermostat tank	Temostato serbatoio	
V	Electroválvula llenado	Water solenoid valve	Electrovanne d'eau	Elektroventil Füllen und Spülen	Elettroval riempimento e risciacquo	
Vf	Electroválvula agua Fria	Water solenoid valve	Electrovanne d'eau	Elektroventil Füllen und Spülen	Elettroval riempimento e risciacquo	
VR1, VR2,VR3,BR	Electrovalvulas Regeneracion	Regeneration solenoid valve	vanne de régénération	Regenerierventil	Valvola di rigenerazione	
	<b>COLOR</b>	<b>COLOUR</b>	<b>COULEURS</b>	<b>FARBEN</b>	<b>COLORE</b>	
a = BLU	Azul	Blue	Bleu	Blau	Blu	
am = YEL	Amarillo	Yellow	Jaune	Gelb	Giallo	
am/ve = YEL/GRN	Amarillo/Verde	Yellow / green	Jauno / vert	Gelb/ grün	Giallo/ verde	
b = WHT	Blanco	White	Blanc	WeiB	Bianco	
g = GRY	Gris	Grey	Gris	Grau	Grigio	
m = BRN	Marron	Brown	Marron	Braun	Marrone	
n = BLK	Negro	Black	Noir	Schwarz	Nero	
na = ORG	Naranja	Orange	Orange	Orange	Arancio	
r = RED	Rojo	Red	Rouge	Rot	Rosso	
rs = PNK	Rosa	Pink	Rose	Rosa	Rosa	
ve = GRN	Verde	Green	Vert	Grün	Verde	
vi = PRP	Violeta	Purple	Pourpre	Violett	Viola	
			12103338			12103338